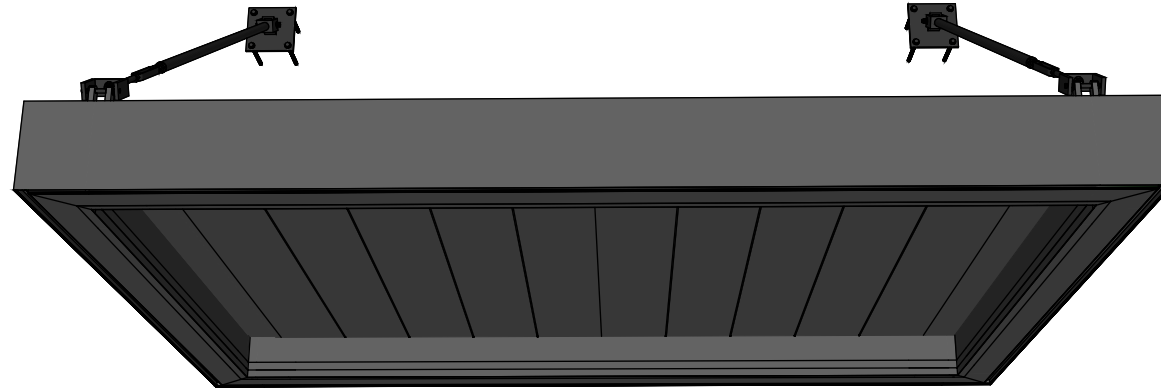


8" Modulux



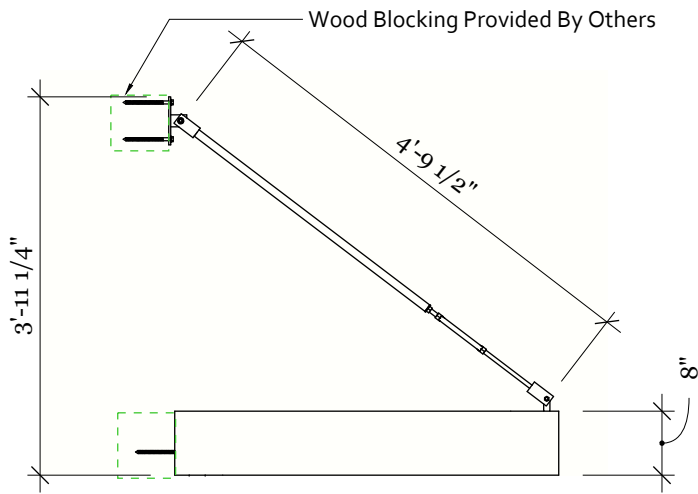
8in Modulux

Address

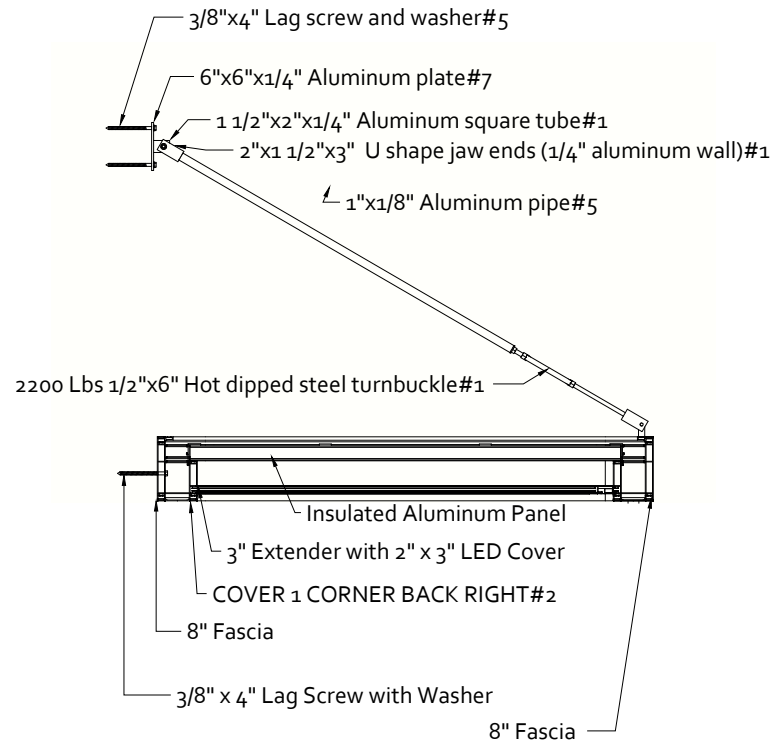
100 Industrial Ave, Little Ferry NJ, 07643

Drawing By: TK

January 29, 2026



Scale: 1/2" = 1'-0" (1:24)



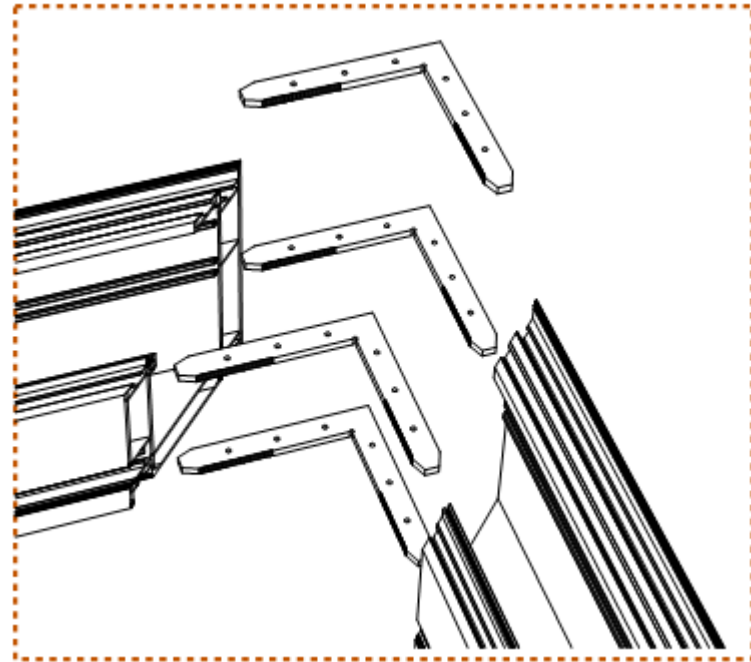
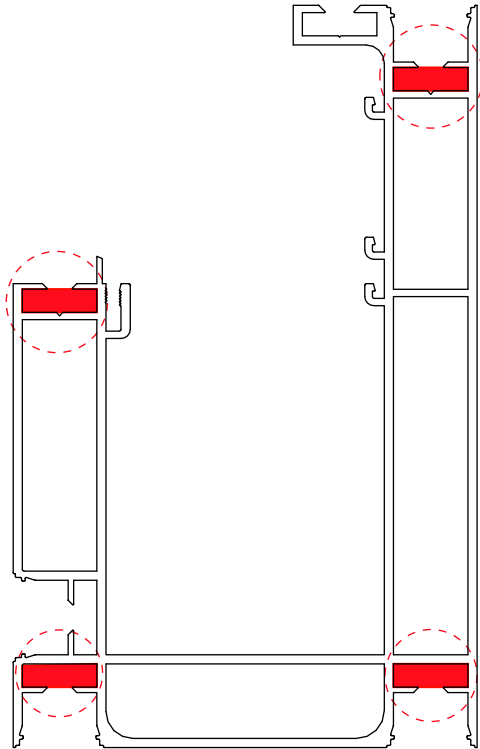
Scale: 1 1/2" = 1'-0"

Project Name:
8in Modulux

100 Industrial Ave, Little Ferry NJ, 07643

Drawing By: TK	January 29, 2026
Notes:	Please add the notes
--/--/--	...

Bracket Details



Project Name:
8in Modulux

100 Industrial Ave, Little Ferry NJ, 07643

Drawing By: TK

January 29, 2026

Notes:

Please add the notes

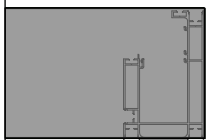
--/--/--

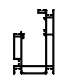
...

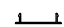
Page:


Profile Add-On Examples

1.

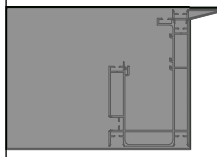


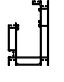
Fascia 

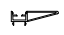
+
1" Cover 

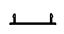
+
1" Cover 

2.

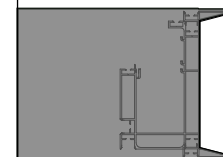


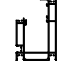
Fascia 

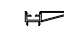
+
Channel 


+
1" Cover 

3.

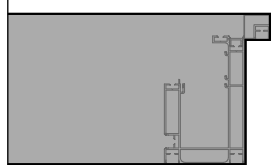


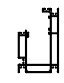
Fascia 


+
Channel 


+
Channel 

4.

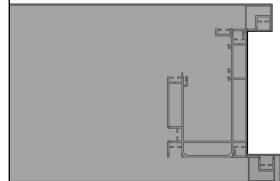


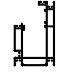
Fascia 


+
Tube 


+
1" Cover 

5.

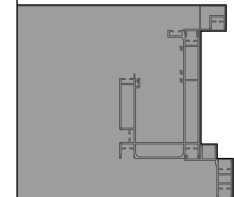


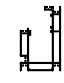
Fascia 


+
Tube 


+
Tube 

6.

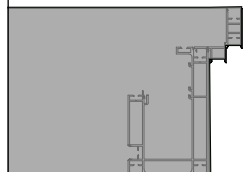


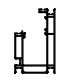
Fascia 


+
Tube 


+
Crown 

7.

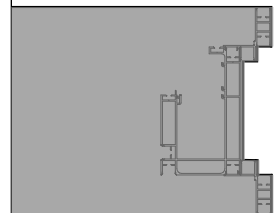



Fascia 


+
Crown 


+
1" Cover 

8.

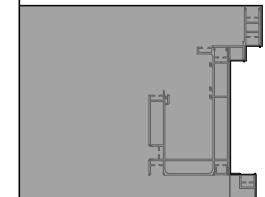


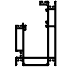
Fascia 


+
Crown 


+
Crown 

9.



Fascia 

+
Crown 

+
Tube 

Project Name:
8in Modulux

100 Industrial Ave, Little Ferry NJ, 07643

Drawing By: TK

January 29, 2026

Notes:

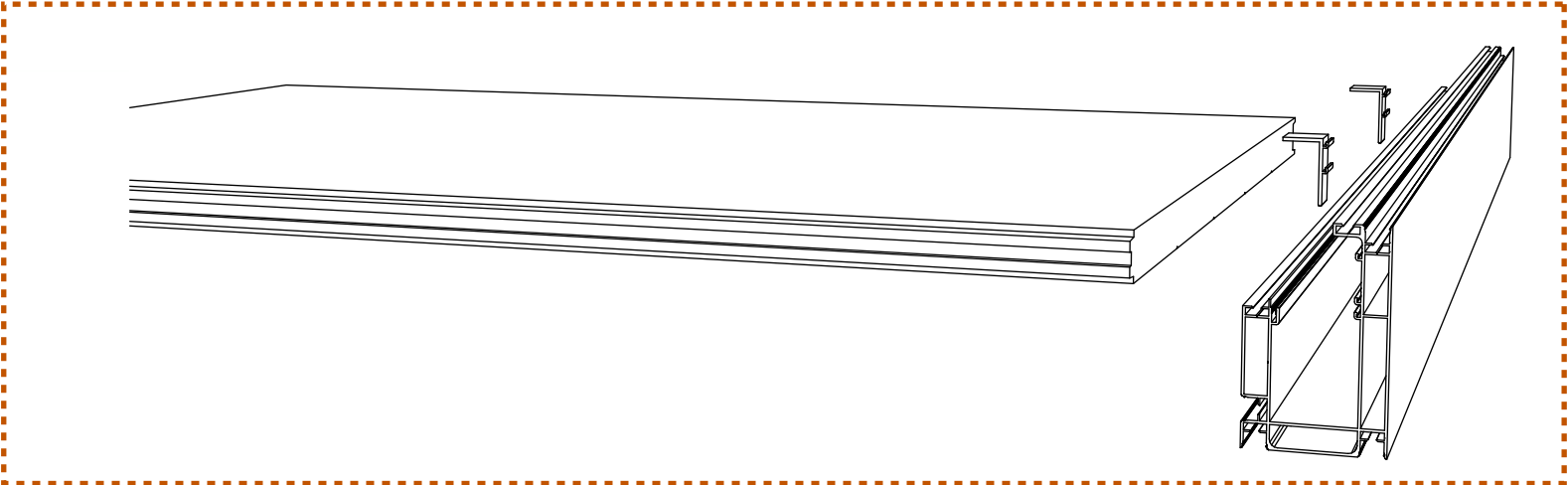
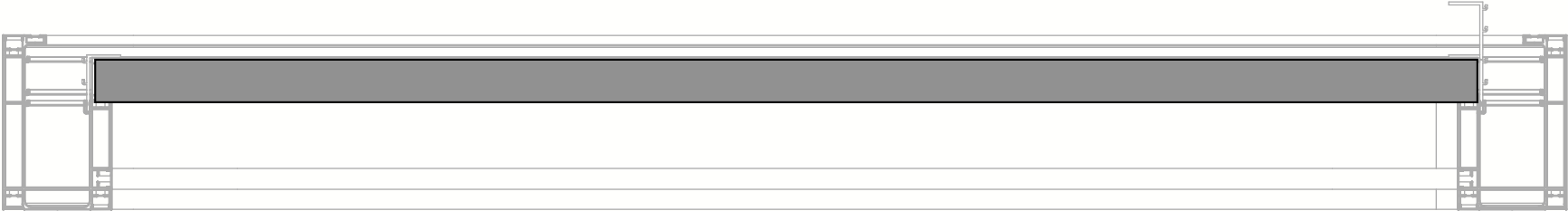
Please add the notes

--/--/--

...

Page:

Roof Location



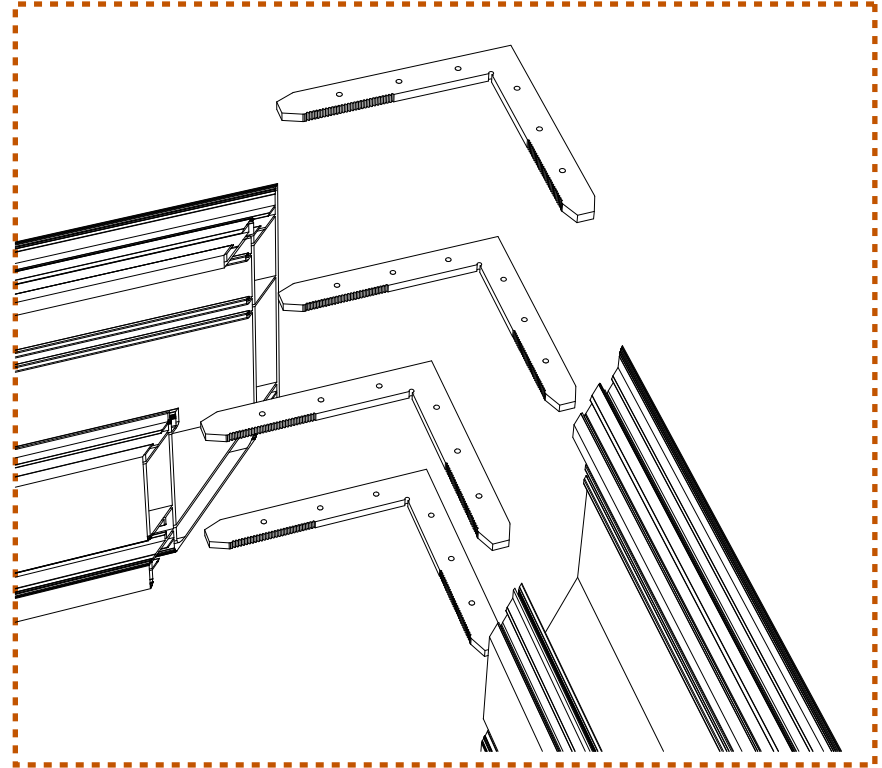
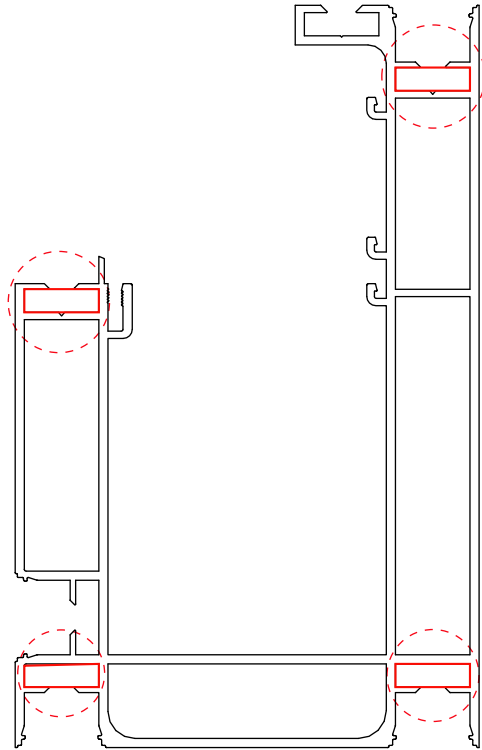
Scale: 1 1/2" = 1'-0"

Project Name:
8in Modulux

100 Industrial Ave, Little Ferry NJ, 07643

Drawing By: TK	January 29, 2026
Notes:	Please add the notes
--/--/--	...

Connection Details



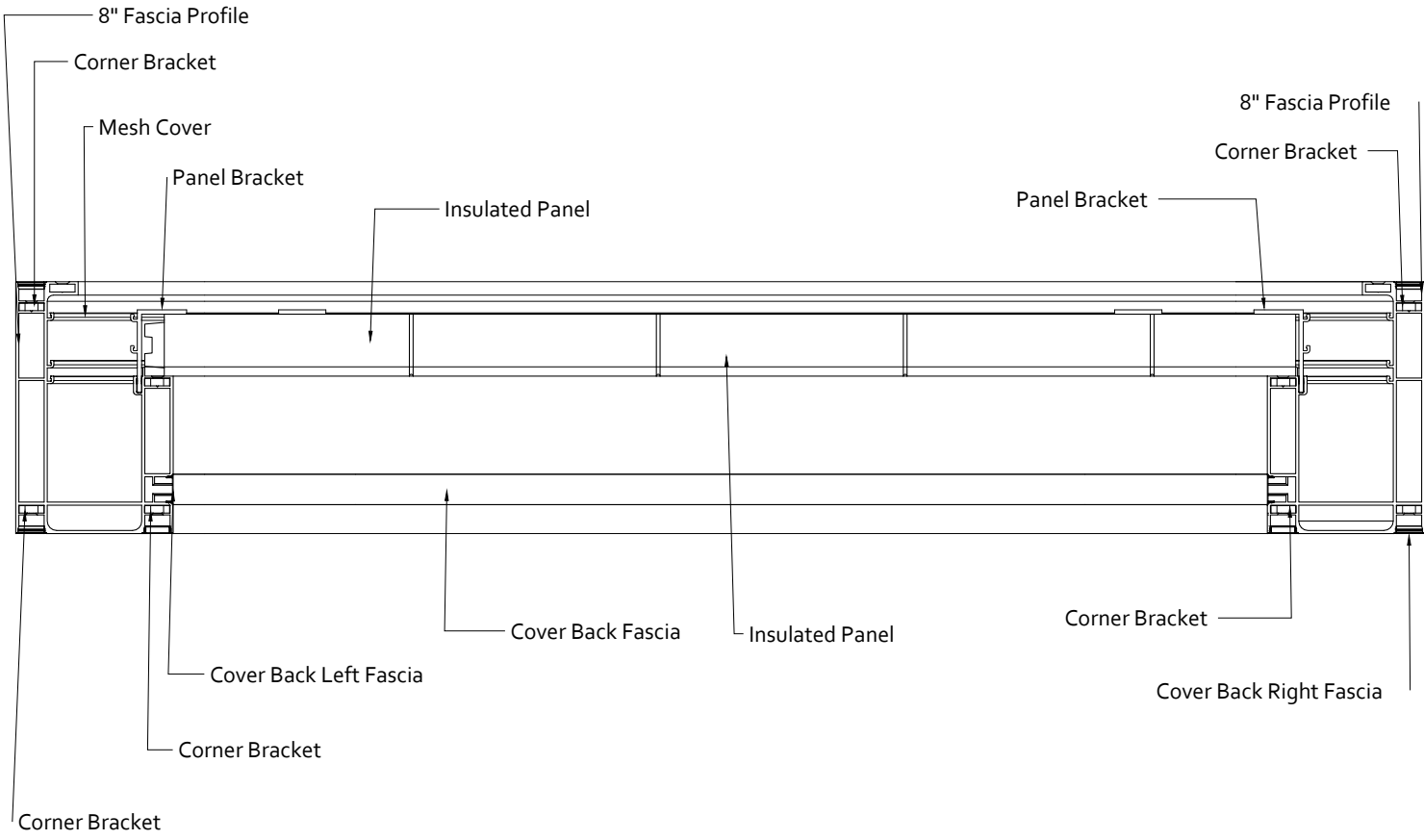
Scale: 3" = 1'-0"

Project Name:
8in Modulux

100 Industrial Ave, Little Ferry NJ, 07643

Drawing By: TK	January 29, 2026
Notes: Please add the notes	
--/--/--	...

Side Section Cut



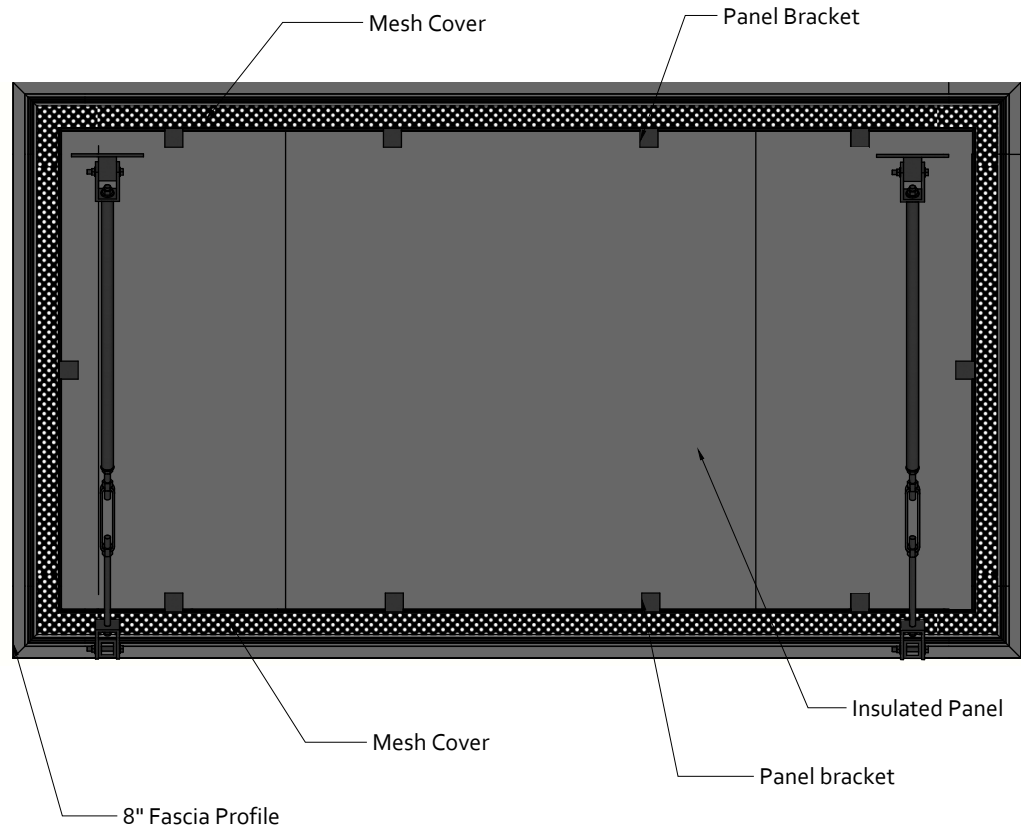
Scale: 3" = 1'-0"

Project Name:
8in Modulux

100 Industrial Ave, Little Ferry NJ, 07643

Drawing By: TK	January 29, 2026
Notes:	Please add the notes
--/--/--	...

Top View



Scale: 3" = 1'-0"

Project Name:
8in Modulux

Drawing By: TK

January 29, 2026

Notes:

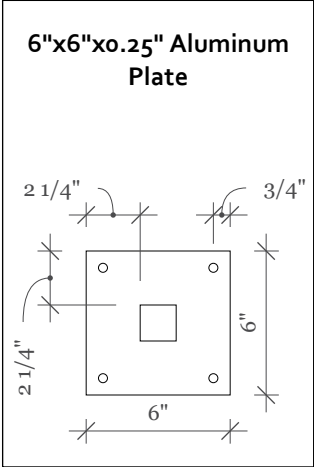
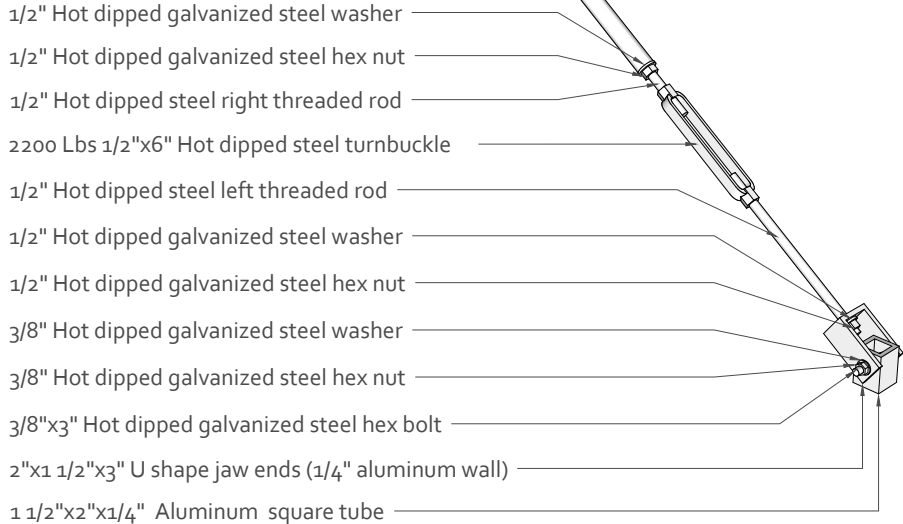
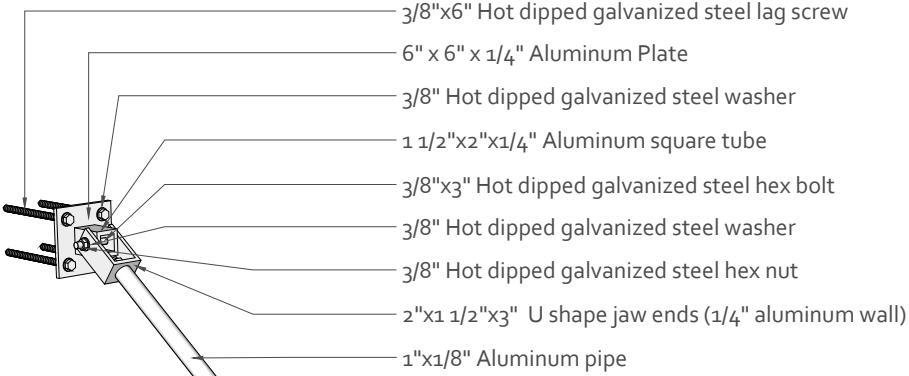
Please add the notes

100 Industrial Ave, Little Ferry NJ, 07643

--/--/--

...

Hangar Rod Details

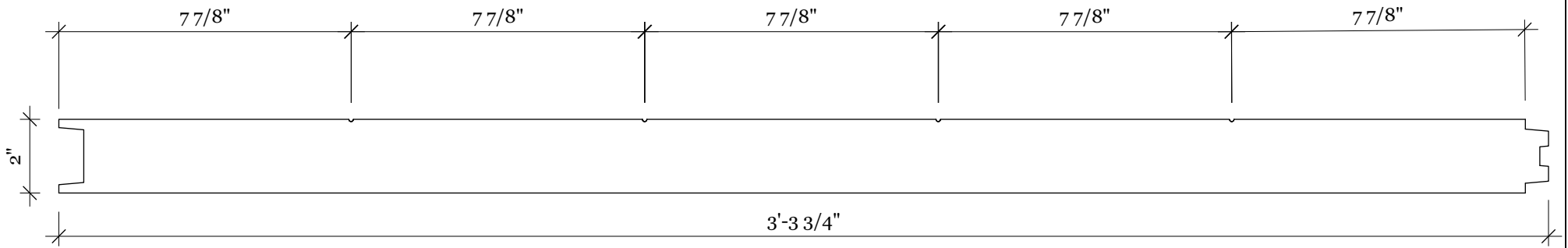
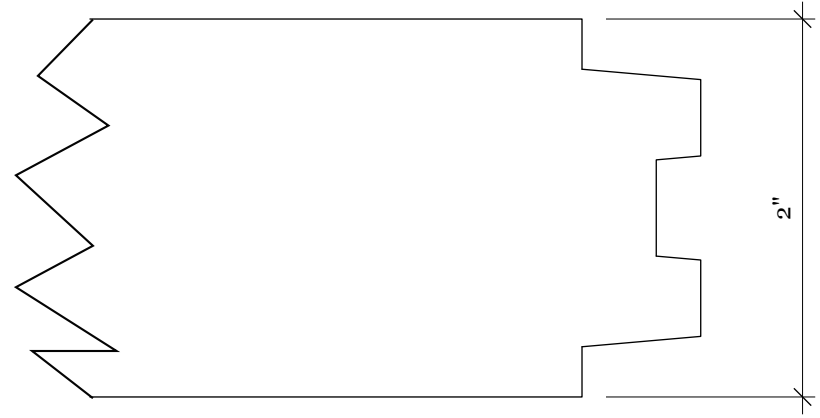
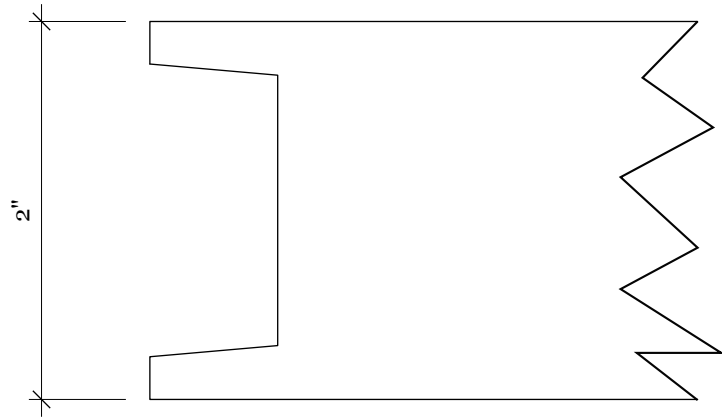


Project Name:
8in Modulux

100 Industrial Ave, Little Ferry NJ, 07643

Drawing By: TK	January 29, 2026
Notes: Please add the notes	
__/__/__	...

Insulated Panel Details



Project Name:
8in Modulux

100 Industrial Ave, Little Ferry NJ, 07643

Drawing By: TK

January 29, 2026

Notes:

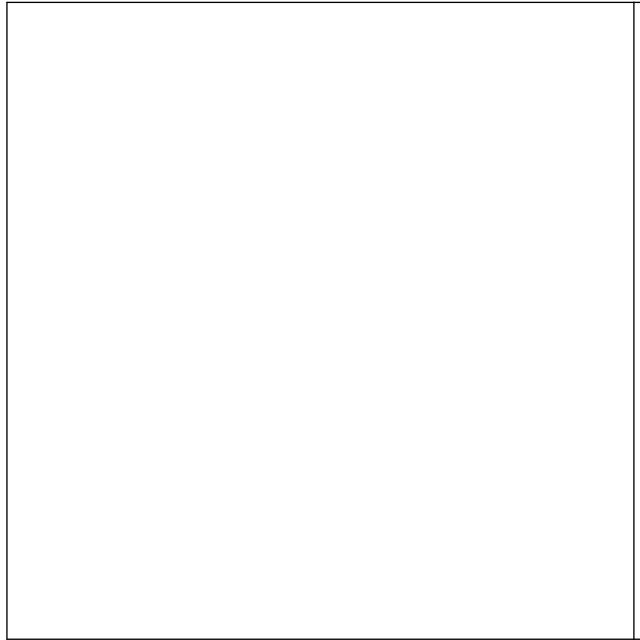
Please add the notes

--/--/--

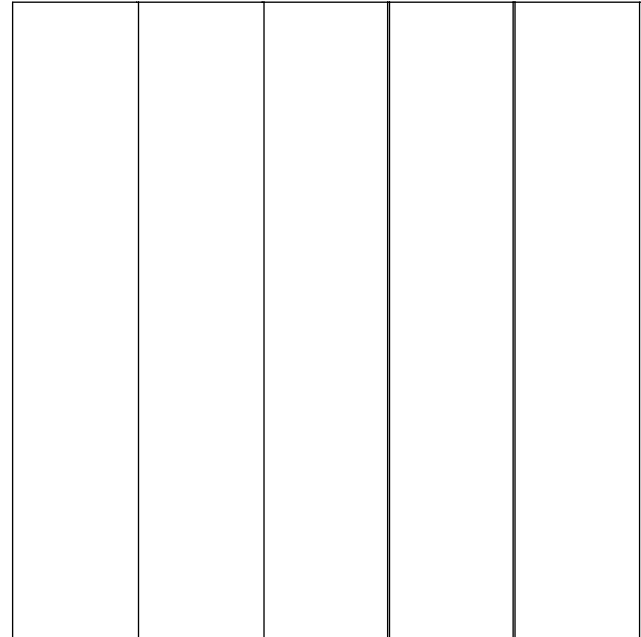
...

Insulated Panel Details-Cont.

Solid Side



Rib Side



Project Name:
8in Modulux

100 Industrial Ave, Little Ferry NJ, 07643

Drawing By: TK

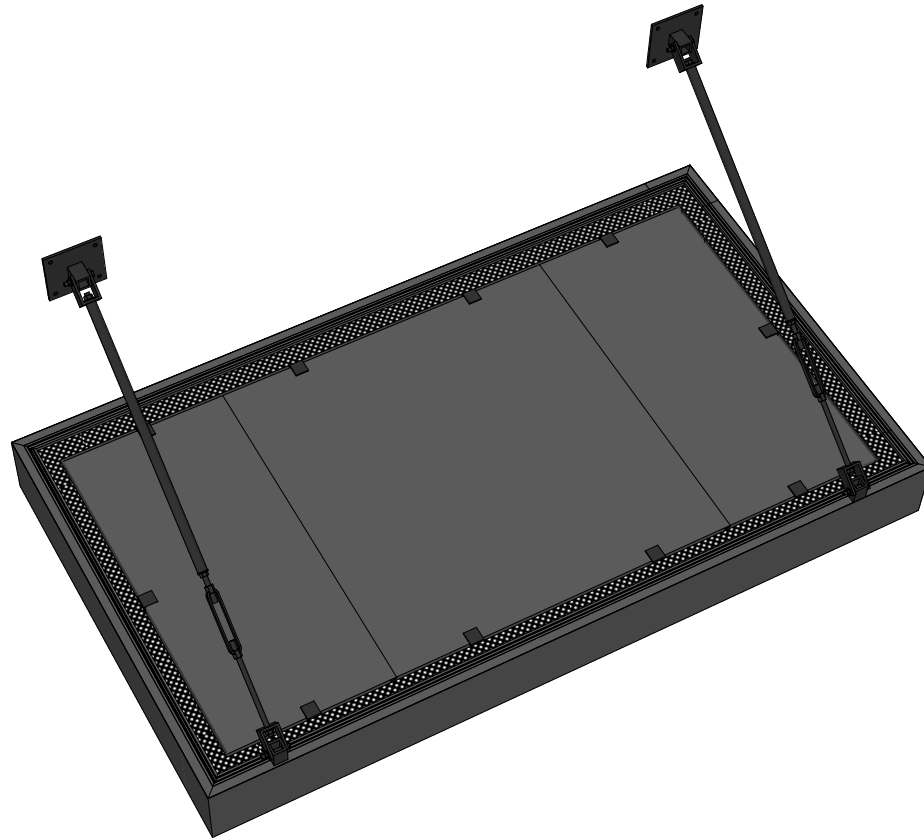
January 29, 2026

Notes:

Please add the notes

--/--/--

...



Thank you for the opportunity to work with you

The Tudelu Team